

WINNER'S STAND

/

WINNER'S PLATFORM

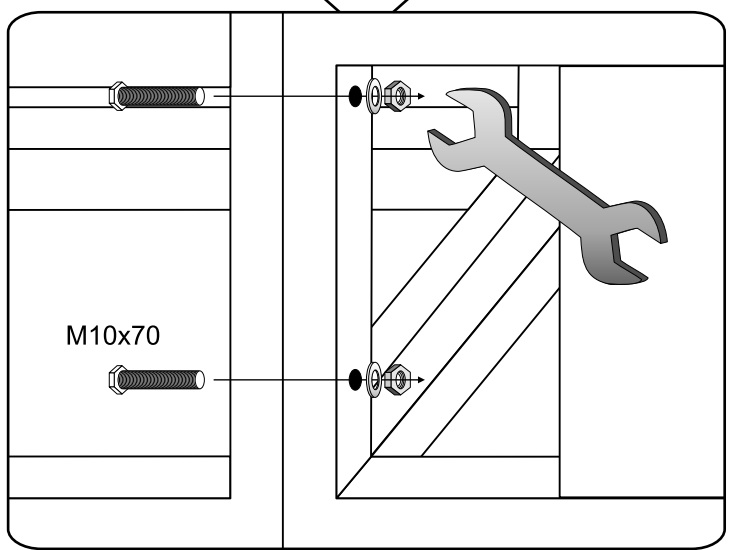
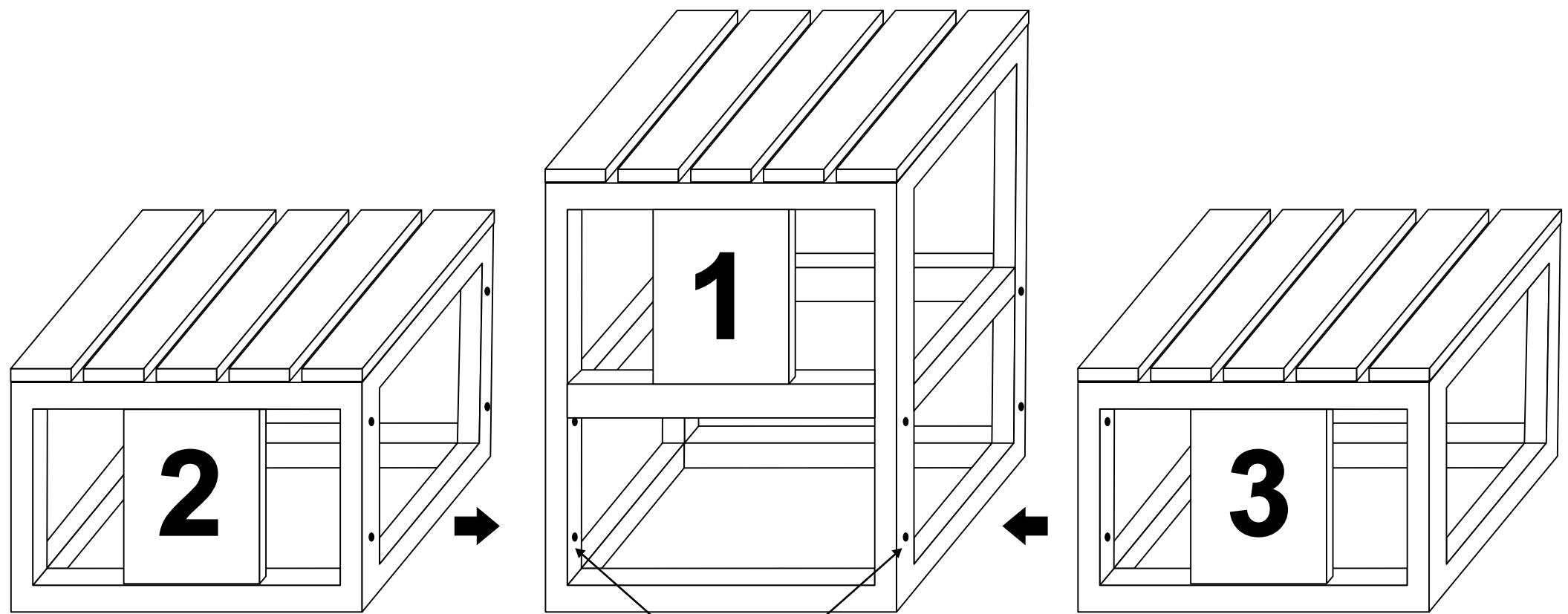
STEEL & WOOD CONSTRUCTION



INSTALLATION MANUAL

ART NO: 1156424 / 1157424
WINNER'S STAND / WINNER'S PLATFORM
INS-17-08-17

This instruction shall not be treated as an offer according to law regulations, it should be treated as an information.
Products presented in this instruction may be subject to technical modifications without previous notice.



READY!

